

RH BABY & CHILD


OLIN CRIB/TODDLER BED CONVERSION KIT – ASSEMBLY INSTRUCTIONS

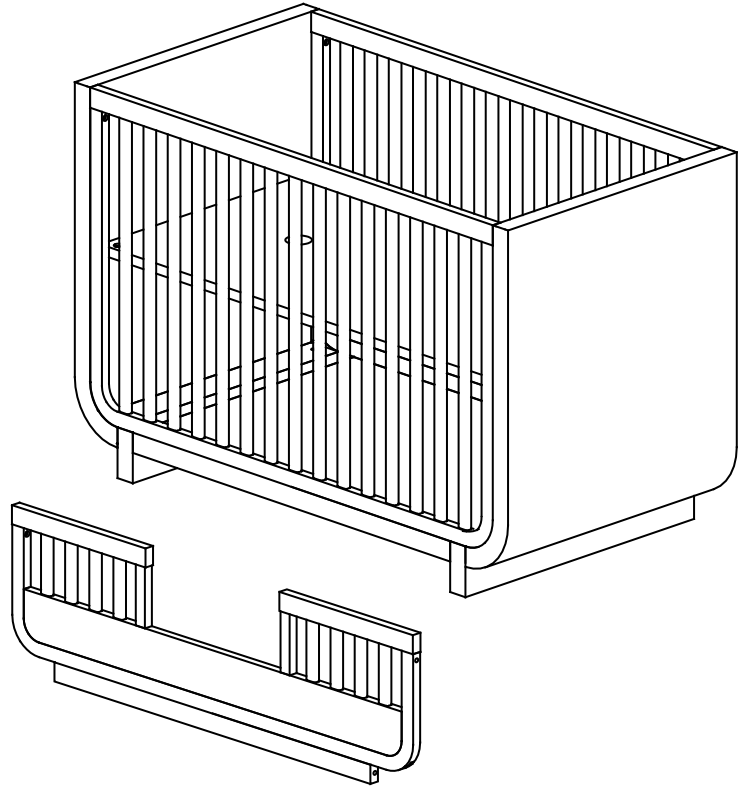
Model No: 2065 - 7/8

Made in Vietnam

Distributed in the U.S.A. by:
RH Baby & Child
2900 N MACARTHUR DRIVE
TRACY, CA 95376
www.rhbabyandchild.com

Distributed in Canada by:
RH Canada, Inc.
1500-1055 West Georgia Street
Vancouver, British Columbia V6E4N7

 **WARNING:** Read all instructions before assembling this product.
KEEP INSTRUCTIONS FOR FUTURE USE.



TODDLER BED CONVERSION KIT (SOLD SEPARATELY)

CUSTOMER SERVICE

If you are missing parts or have any questions about this product, contact us first. You can also order parts by writing to the address above. Include the product model number, color, and a brief description of the part. Or call 1-800-762-1005.

CARE AND CLEANING

DO NOT scratch or chip the finish. DO NOT use abrasive chemicals for cleaning. If the crib is to be stored, store in a cool, dry place and carefully package all original hardware to protect from loss.

TOOLS AND INSTALLATION

Tools needed: Allen Wrench (included)

Two people are recommended for assembly.

When inserting bolts, turn clockwise until tight. Then loosen 1/2-3/4 of a turn. After bed is completely assembled, return to each bolt and tighten.

RH BABY & CHILD

OLIN CRIB/TODDLER BED CONVERSION KIT – ASSEMBLY INSTRUCTIONS Model No: 2065 - 7/8



WARNING: Infants can suffocate on soft bedding. Never add a pillow or comforter. Never place additional padding under an infant.



WARNING: Failure to follow these warnings and the assembly instructions could result in serious injury or death.

- Never use plastic shipping bags or other plastic film as a mattress cover because they can cause suffocation.
- Infants can suffocate in gaps between crib sides and a mattress that is too small.
- To reduce the risk of SIDS, pediatricians recommend healthy infants be placed on their backs to sleep, unless otherwise advised by your physician.

Strangulation Hazard:

- Strings can cause strangulation! DO NOT place items with a string around a child's neck, such as hood strings or pacifier cords. DO NOT suspend strings over a crib or attach strings to toys.
- To help prevent strangulation, tighten all fasteners. A child can trap parts of their body or clothing on loose fasteners.
- DO NOT place the crib near a window, where cords from blinds or drapes may strangle a child.

Fall Hazard:

- When child is able to pull up to a standing position, set mattress to lowest position and remove bumper pads, large toys and other objects that could serve as steps for climbing out.
- When child is able to climb out or reaches the height of 35 inches (89 cm), the crib should no longer be used, and the child should be placed in a youth or regular bed.
- Check this product for damaged hardware, loose joints, missing parts or sharp edges before and after assembly and frequently during use. DO NOT use crib if any parts are missing, damaged or broken.
- Contact customer service at 1-800-762-1005 for replacement parts and instructional literature if needed.
- DO NOT substitute parts.
- DO NOT use a water mattress with this crib.
- If refinishing, use a non-toxic finish specified for children's products.
- Follow warnings on all products in the crib.
- Never use plastic shipping bags or other plastic film as a mattress cover because they can cause suffocation.
- Infants can suffocate in gaps between crib sides and a mattress that is too small.

RH BABY & CHILD

OLIN CRIB/TODDLER BED CONVERSION KIT – ASSEMBLY INSTRUCTIONS
Model No: 2065 - 7/8

CAUTION: ANY MATTRESS USED IN THIS CRIB MUST BE AT LEAST 27 1/4 INCHES BY 51 5/8 INCHES WITH A THICKNESS NOT EXCEEDING 6 INCHES.



WARNING:

- Do not use this crib if the enclosed or attached instructions cannot be strictly adhered to. Do not use this crib if the child is able to climb out unaided or is taller than 35 inches (890 mm). Do not place cords, straps or similar items that could become wound around the child's neck in or near this crib. Ensure that the sides are properly latched or locked in place when the crib is occupied. The mattress used with this crib should not be more than 5 7/8 inches (150 mm) thick and should be of such length and width that the gap between the mattress and the sides of the crib does not exceed 1 3/16 inches (30 mm) when the mattress is pushed into the corner of the crib.
- Parents should inspect the crib regularly before putting the child in the crib each day and confirm that every component of the crib is properly and securely in place.

RH BABY & CHILD

OLIN CRIB/TODDLER BED CONVERSION KIT – ASSEMBLY INSTRUCTIONS
Model No: 2065 - 7/8



WARNING: ENTRAPMENT/STRANGULATION HAZARD

Infants have died in toddler beds from entrapment and strangulation. Failure to follow these warnings and the assembly instructions could result in serious injury or death.

NEVER use bed with children under 15 months.

NEVER place bed near windows where cords from blinds or drapes may strangle a child.

- The mattress intended for use on the bed must be a full-size crib mattress having minimum dimensions of 51 5/8 inches (1310 mm) in length, 27 1/4 inches (690 mm) in width and 4 inches (100 mm) in thickness, not exceeding 6 inches (152 mm) in thickness.
- If guardrails are used as the mattress containment means, the guardrail(s) provided must be used to avoid the formation of a gap between the mattress and the bed, which could cause an entrapment.
- DO NOT place bed near windows where cords from blinds or drapes may strangle a child.
- DO NOT place items with a string, cord, or ribbon around a child's neck, such as hood strings or pacifier cords.
- A child using the toddler or day bed must be at least 15 months of age and weigh 50 lbs (22.7 kg) or less.

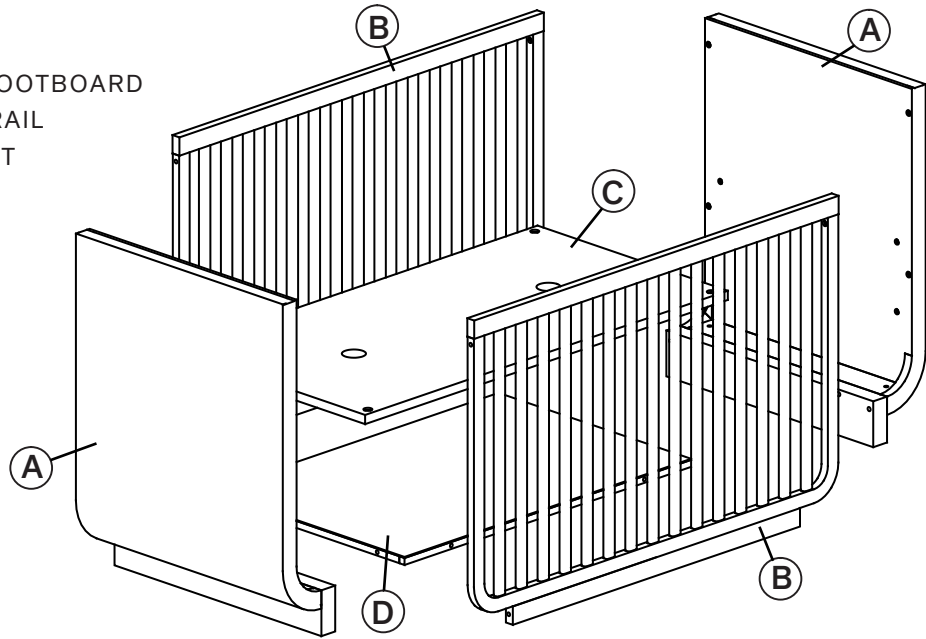
RH BABY & CHILD

OLIN CRIB/TODDLER BED CONVERSION KIT - ASSEMBLY INSTRUCTIONS



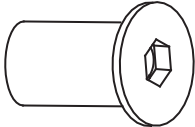


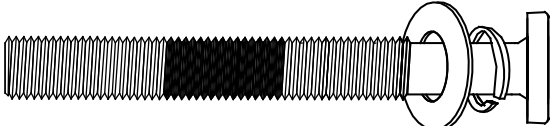
Model No: 2065 - 7/8

PARTS INCLUDED:

- A [2] HEADBOARD AND FOOTBOARD
- B [2] STATIONARY SIDE RAIL
- C [1] MATTRESS SUPPORT
- D [1] BOTTOM PANEL



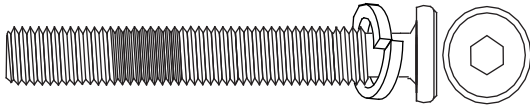
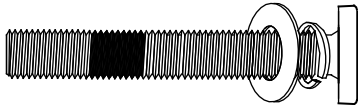
HARDWARE INCLUDED:

NO.	ITEM	DESCRIPTION	QTY.
1		Allen Wrench 6mm	1 piece
2		Allen Wrench 4mm	1 piece
3		Insert Heads 6mm	4 pieces
4		L Pins M10 x 10 x 60 x 33mm	4 pieces
5		Half Moon Washers	4 pieces
6		Long Bolts 5/16" x 2 3/4"	4 pieces

RH BABY & CHILD

OLIN CRIB/TODDLER BED CONVERSION KIT – ASSEMBLY INSTRUCTIONS

Model No: 2065 - 7/8

NO.	ITEM	DESCRIPTION	QTY.
7		Medium Bolts 5/16" x 2 1/4"	4 pieces
8		Small Bolts 1/4" x 1 1/2"	6 pieces

ASSEMBLY INSTRUCTIONS

Note: - Bed must be assembled by at least two people.

- Please read instructions carefully before assembling bed.
- Use the above parts and fittings list to identify each component.
- Keep all packing materials until assembly is complete to avoid loss of smaller parts.
- Do not completely tighten bolts until all steps are finished.

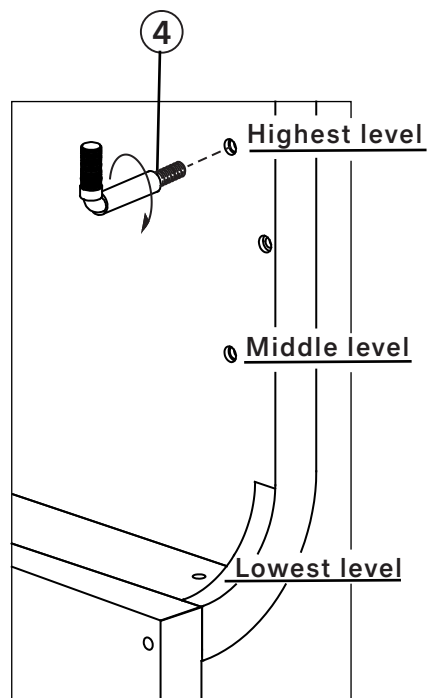
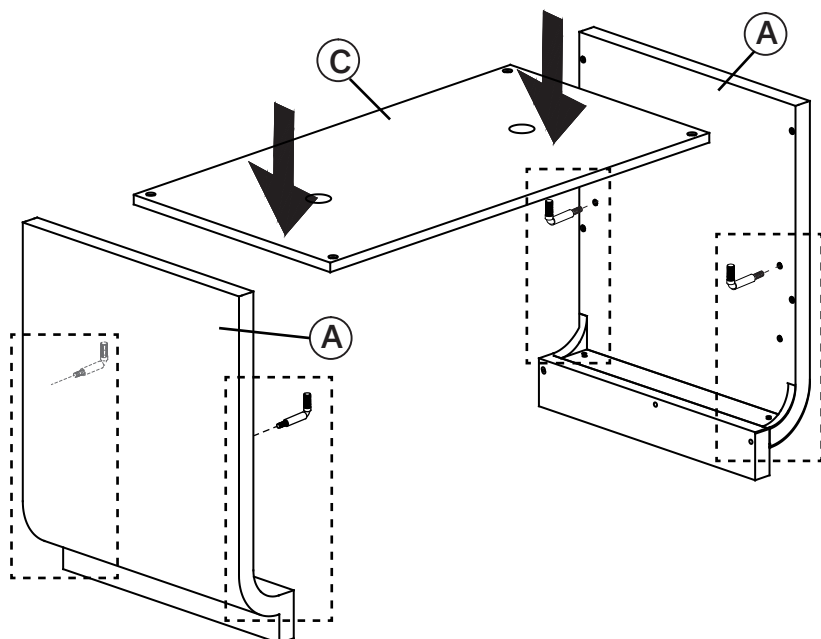
STEP 1:

Insert L Pins (4) into the Headboard and Footboard (A).

Note:

- L Pins face outward.
- Do not fully tighten at this time.
- The Mattress Support (C) should be at the highest level when the child is born.

It must be at the lowest level before the child can stand up. Before installing the Mattress Support (C), please ask the customer at which height they want it installed.



RH BABY & CHILD

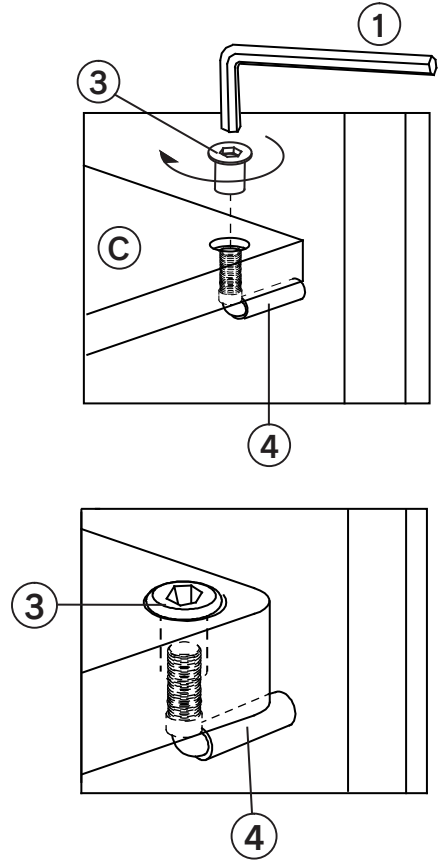
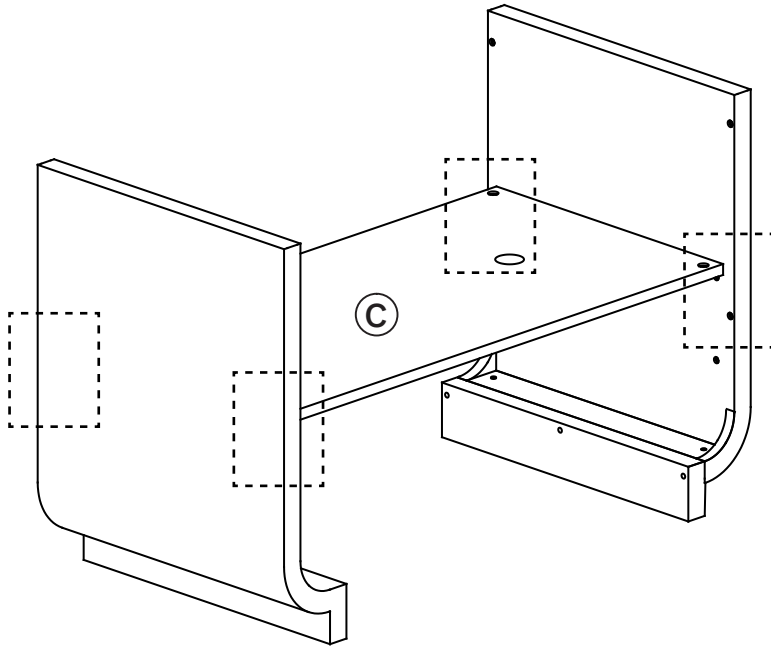
OLIN CRIB/TODDLER BED CONVERSION KIT - ASSEMBLY INSTRUCTIONS

Model No: 2065 - 7/8

STEP 2:

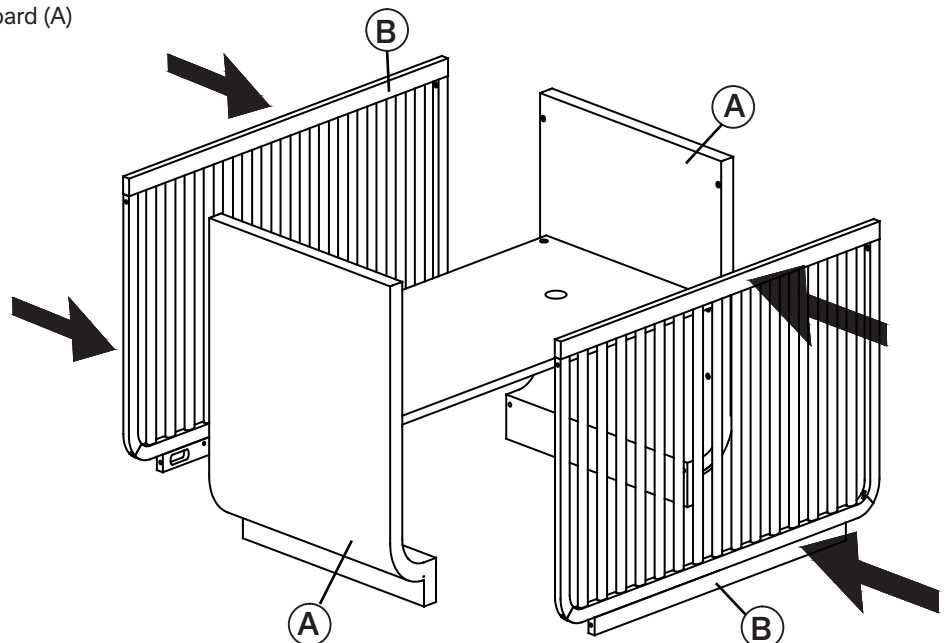
Position the Mattress Support (C) between the Headboard and Footboard (A). Then align L Pins (4) into the pre-drilled holes on the Mattress Support (C).

Attach Insert Heads (3) to L Pins (4) using Allen Wrench (1).



STEP 3:

Position the Stationary Side Rails (B) between the Headboard and Footboard (A) and align the holes.



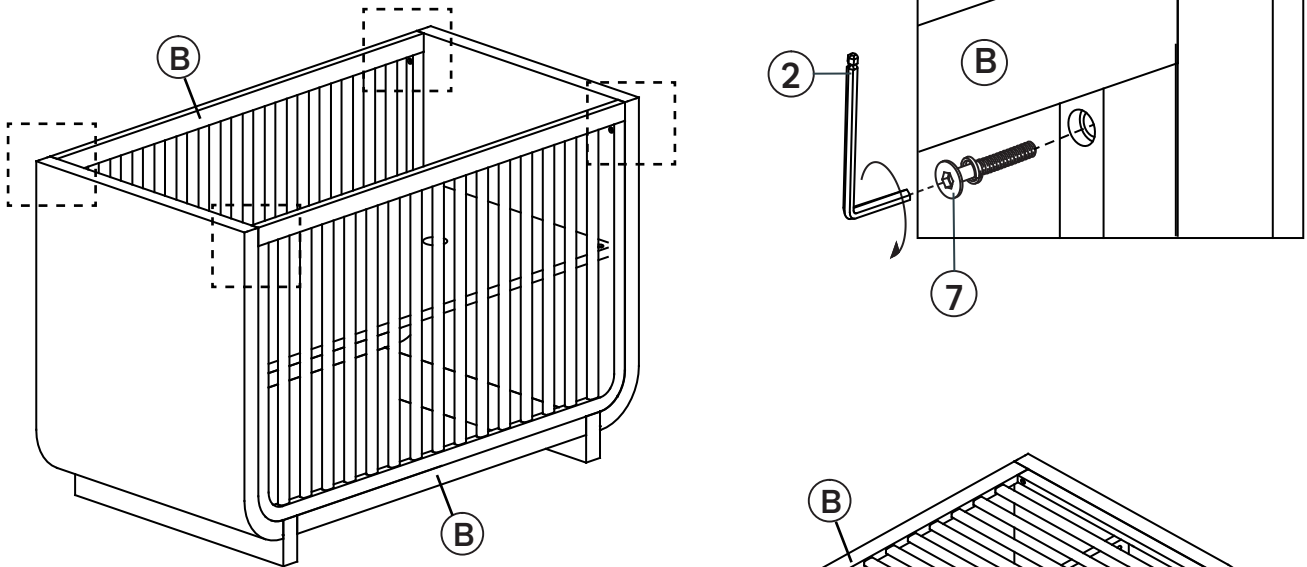
RH BABY & CHILD

OLIN CRIB/TODDLER BED CONVERSION KIT - ASSEMBLY INSTRUCTIONS

Model No: 2065 - 7/8

STEP 4:

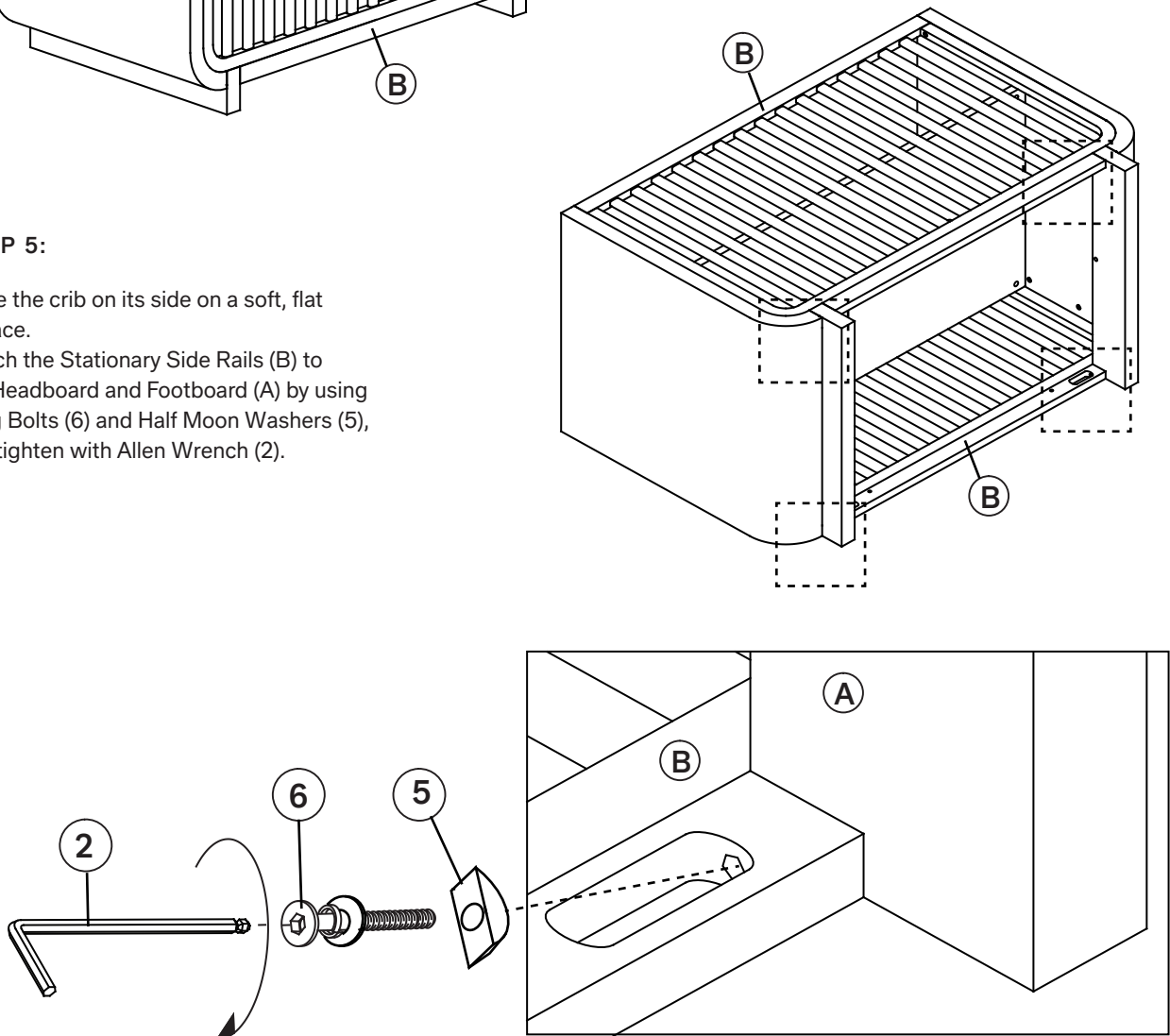
Attach the Stationary Side Rails (B) to the Headboard and Footboard (A) by using Medium Bolts (7), and tighten with Allen Wrench (2).



STEP 5:

Place the crib on its side on a soft, flat surface.

Attach the Stationary Side Rails (B) to the Headboard and Footboard (A) by using Long Bolts (6) and Half Moon Washers (5), and tighten with Allen Wrench (2).



RHBABY&CHILD

OLIN CRIB/TODDLER BED CONVERSION KIT – ASSEMBLY INSTRUCTIONS

Model No: 2065 - 7/8

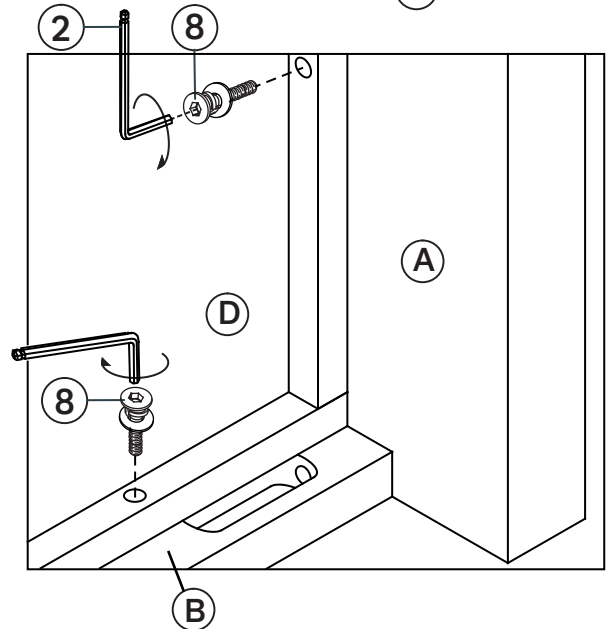
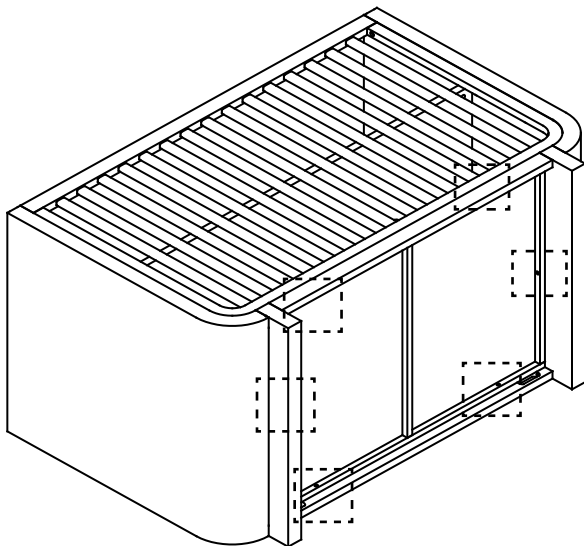
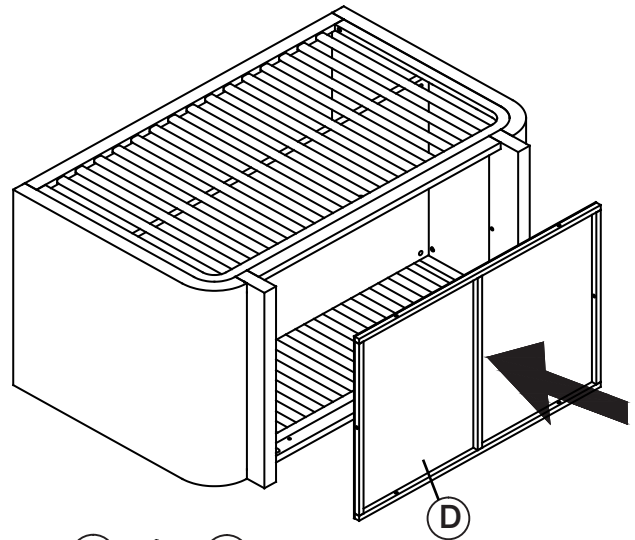
STEP 6:

Position the Bottom Panel (D) to the bottom crib and align the holes.

Attach the Bottom Panel (D) to the crib by using Short Bolts (8) and tighten with Allen Wrench (2).

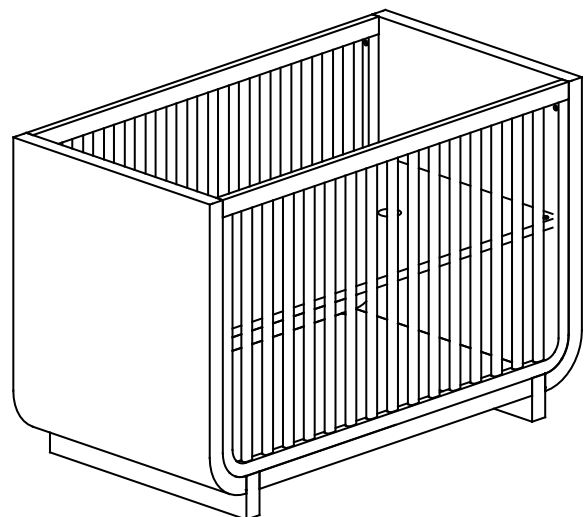
Carefully turn the crib upright.

Assembly is complete.



WARNING:

After crib is completely assembled, return to each bolt and tighten to a snug fit. DO NOT overtighten.



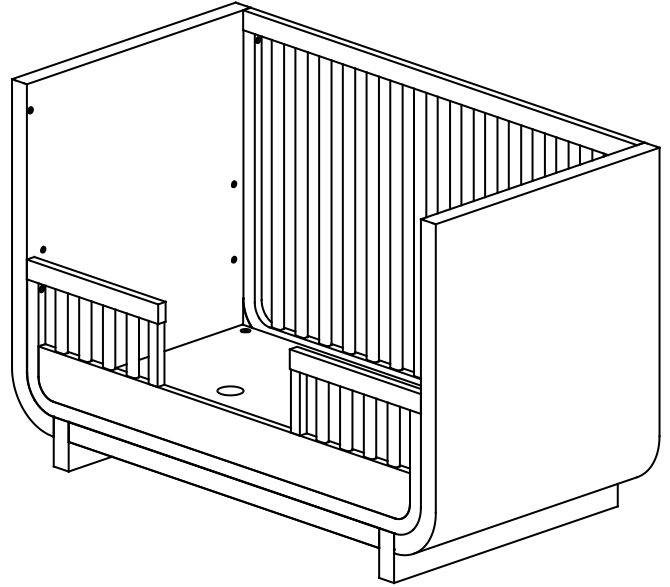
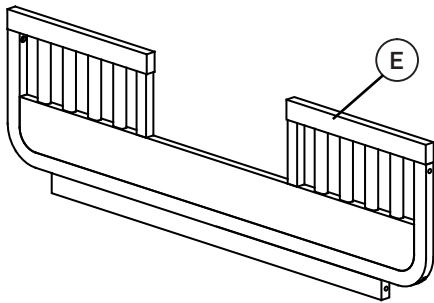
RH BABY & CHILD

OLIN CRIB/TODDLER BED CONVERSION KIT – ASSEMBLY INSTRUCTIONS Model No: 2065 - 7/8



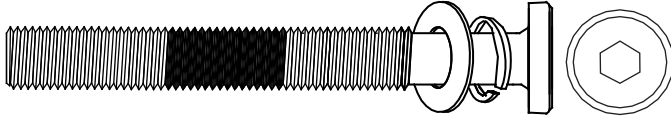
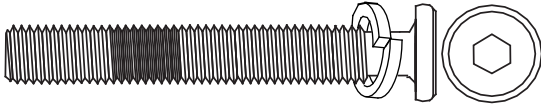
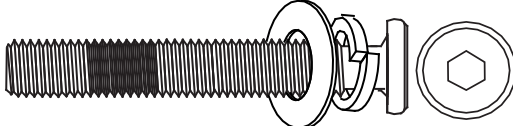
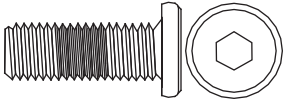
TODDLER RAIL ASSEMBLY

PARTS INCLUDED:

E [1] TODDLER RAIL



HARDWARE INCLUDED:

NO.	ITEM	DESCRIPTION	QTY.
2		Allen Wrench 4mm	1 piece
5		Half Moon Washers	2 pieces
6		Long Bolts 5/16" x 2 3/4"	2 pieces
7		Medium Bolts 5/16" x 2 1/4"	2 pieces
9		Medium Bolts 5/16" x 2"	4 pieces
10		Short Bolts 5/16" x 3/4"	10 pieces

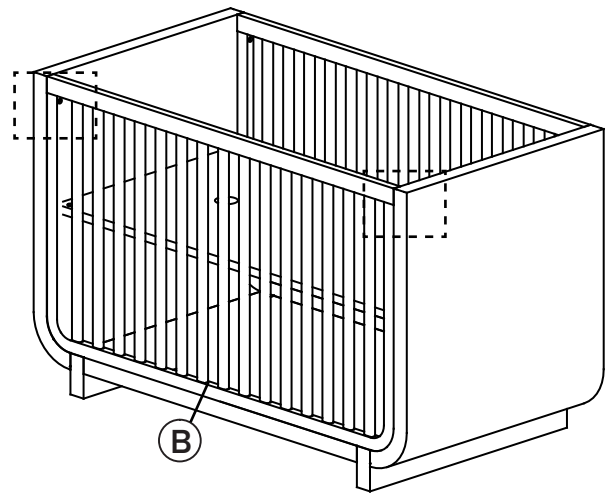
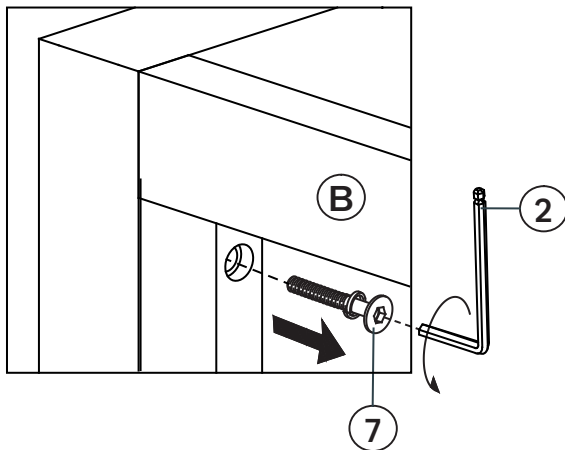
RHBABY&CHILD

OLIN CRIB/TODDLER BED CONVERSION KIT – ASSEMBLY INSTRUCTIONS

Model No: 2065 - 7/8

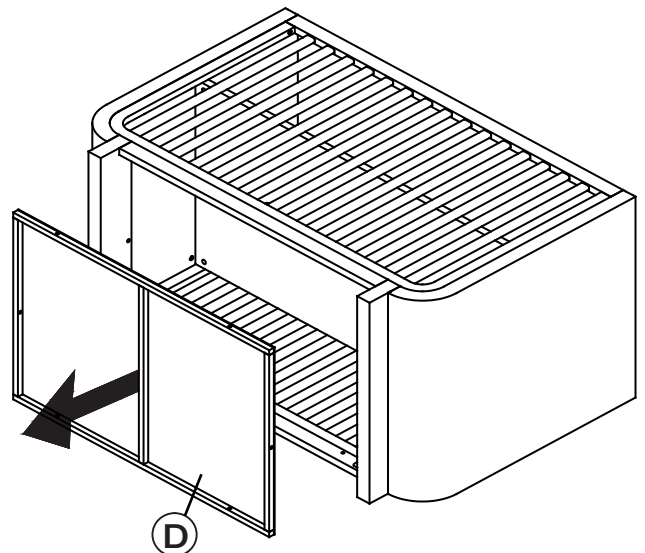
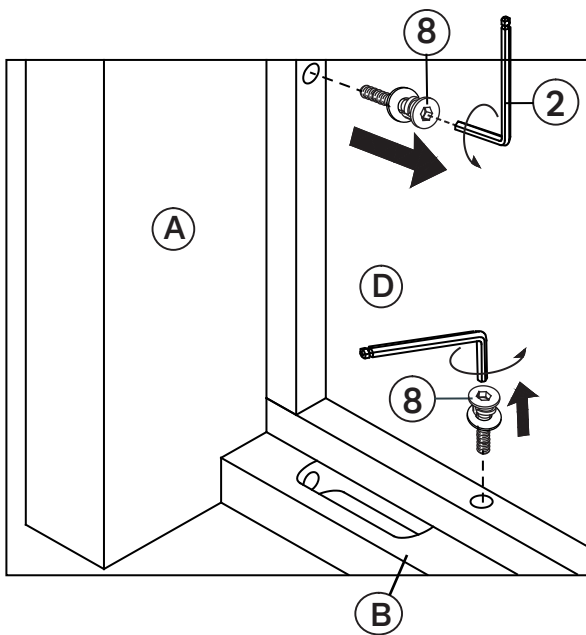
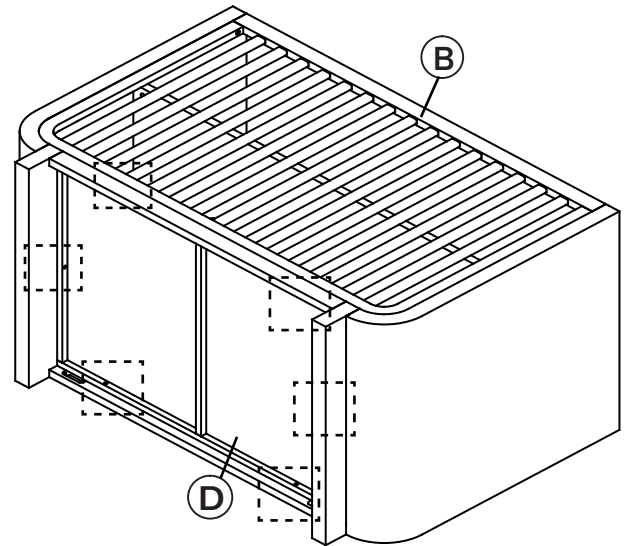
STEP 7:

Remove the two Medium Bolts (7) with spring washer on left and right sides of the Stationary Side Rail (B) using Allen Wrench (2).



STEP 8:

Place the Crib on its side on a soft, flat surface. Carefully unscrew and remove the six Small Bolts (8) on the Bottom Panel (D) using Allen Wrench (2). Remove the Bottom Panel (D) from the crib.



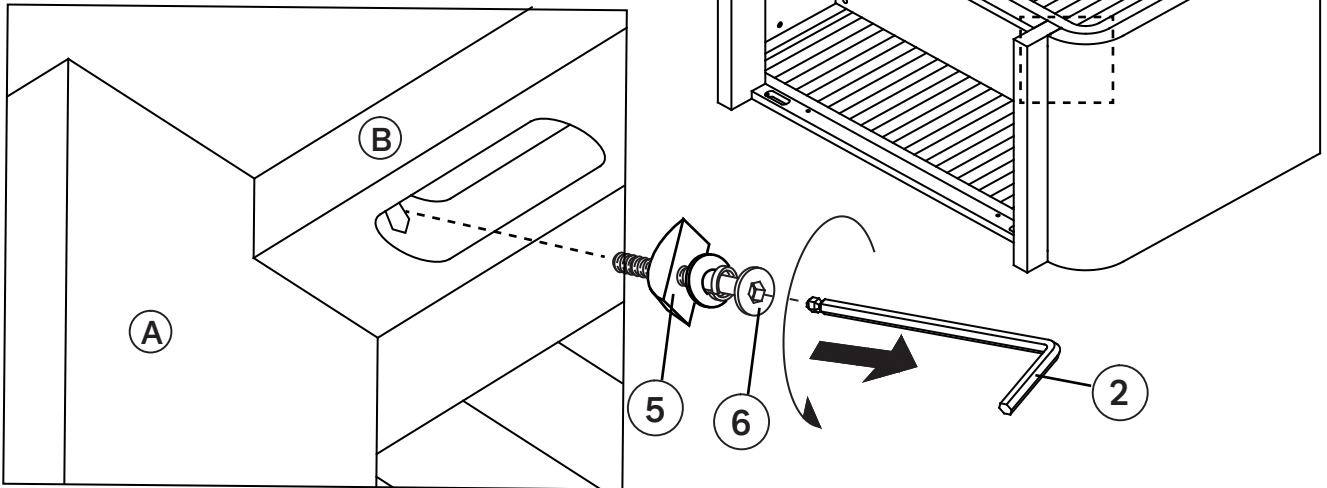
RH BABY & CHILD

OLIN CRIB/TODDLER BED CONVERSION KIT – ASSEMBLY INSTRUCTIONS

Model No: 2065 - 7/8

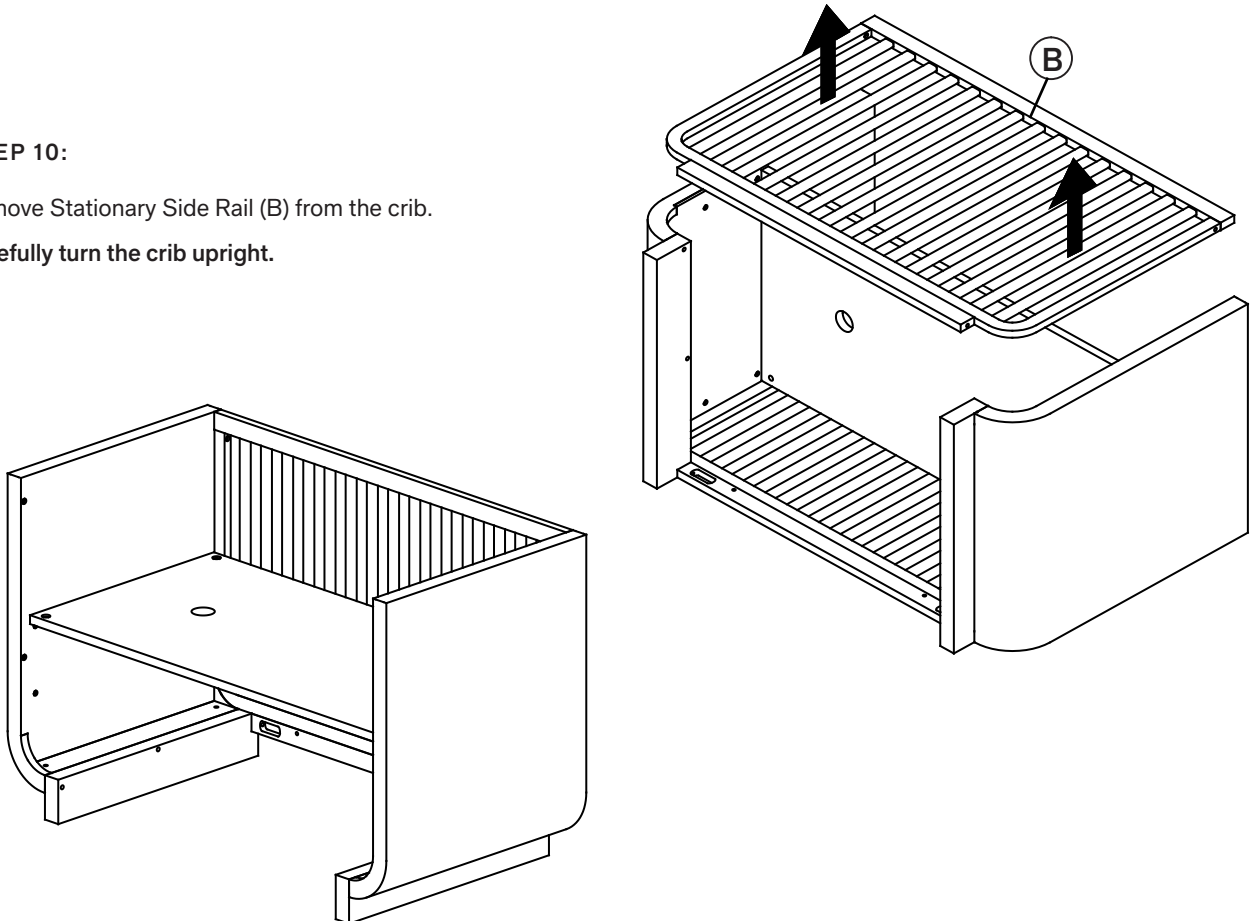
STEP 9:

Carefully unscrew and remove the two Long Bolts (6) with Half Moon Washers (5) on left and right sides of the Stationary Side Rail (B) using Allen Wrench (2).



STEP 10:

Remove Stationary Side Rail (B) from the crib.
Carefully turn the crib upright.



RH BABY & CHILD

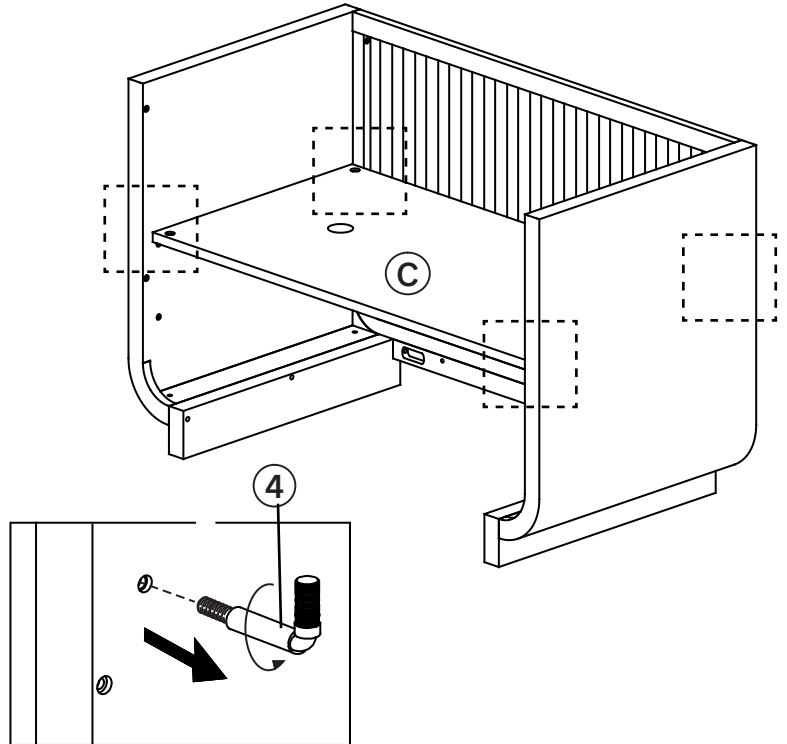
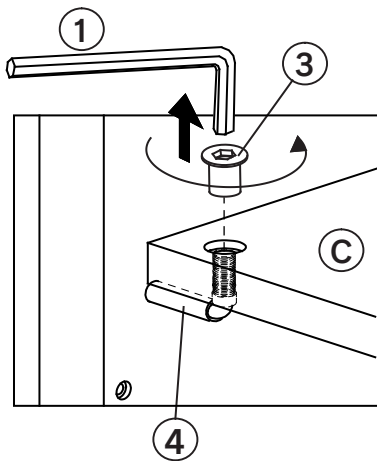
OLIN CRIB/TODDLER BED CONVERSION KIT – ASSEMBLY INSTRUCTIONS

Model No: 2065 - 7/8

STEP 11:

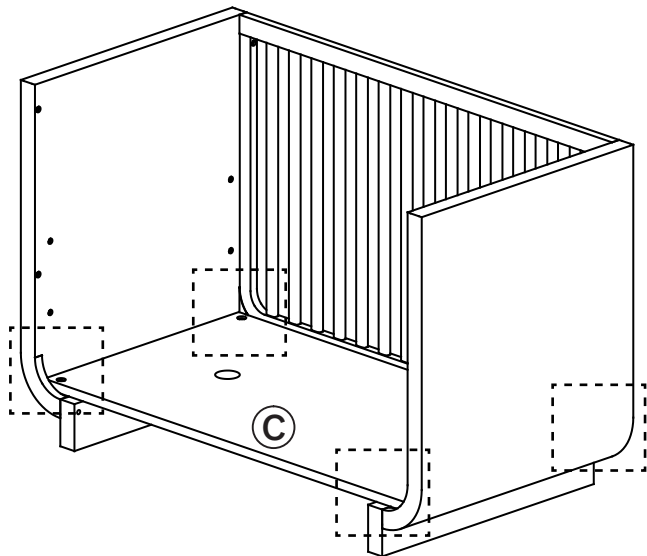
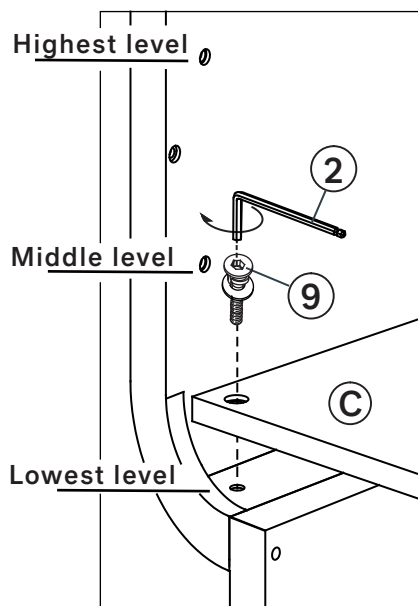
If mattress support is not in the lowest position, remove all tightened Insert Heads (3) and L Pins (4) from the Mattress Support (C), then move it to the lowest position.

Note: The Mattress Support (C) must be at the lowest level for a toddler bed.



STEP 12:

Move the Mattress Support (C) into the pre-drilled holes the lowest position of the Headboard and Footboard (A). Insert Medium Bolts (9) and tighten with Allen Wrench (2).



RH BABY & CHILD

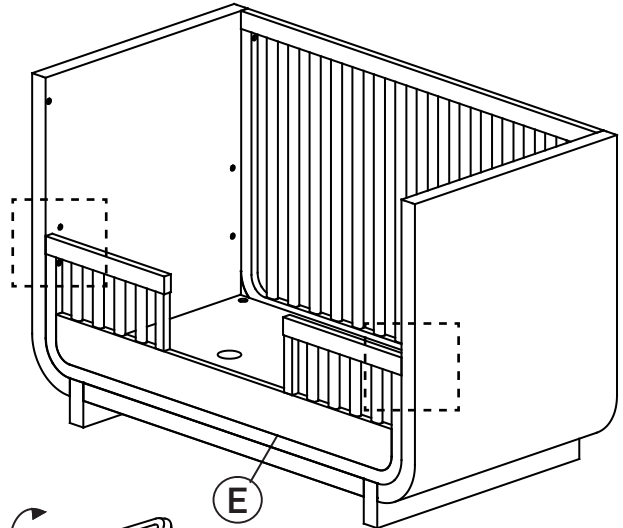
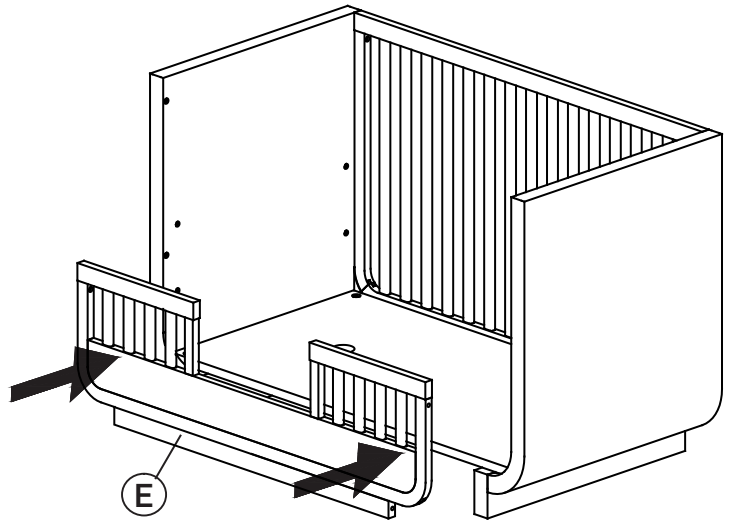
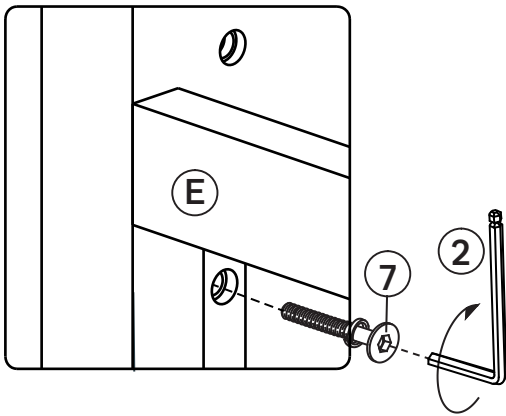
OLIN CRIB/TODDLER BED CONVERSION KIT – ASSEMBLY INSTRUCTIONS

Model No: 2065 - 7/8

STEP 13:

Position the Toddler Rail (E) between the Headboard and Footboard (A) and align the holes.

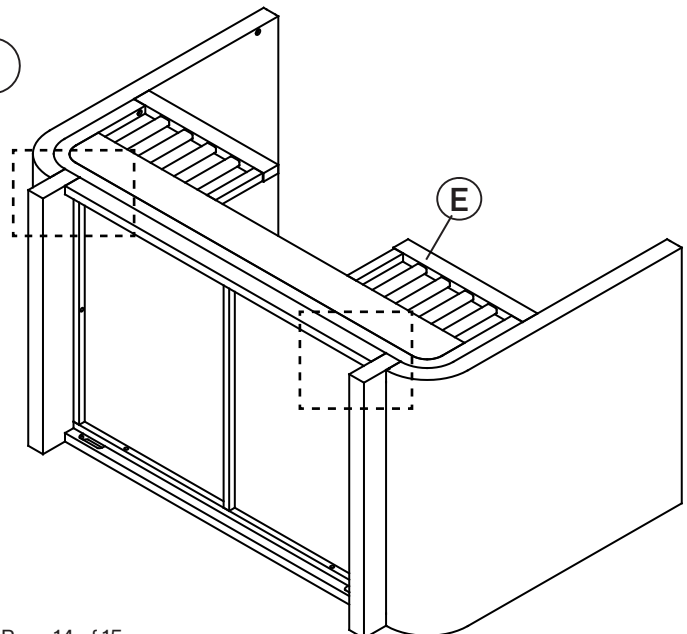
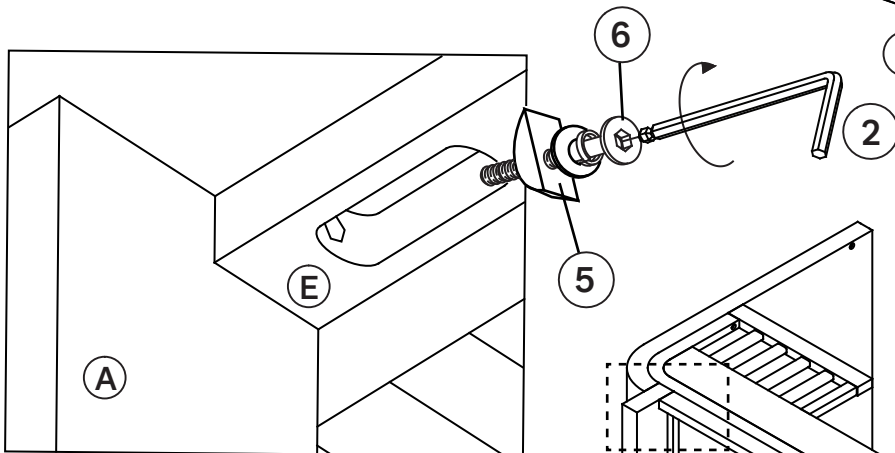
Attach the Toddler Rail (E) to the Headboard and Footboard (A) by using Medium Bolts (7), and tighten with Allen Wrench (2).



STEP 14:

Place the Crib on its side on a soft, flat surface.

Attach the Toddler Rail (E) to the Headboard and Footboard (A) by using Long Bolts (6), and Half Moon Washers (5). Tighten with Allen Wrench (2).



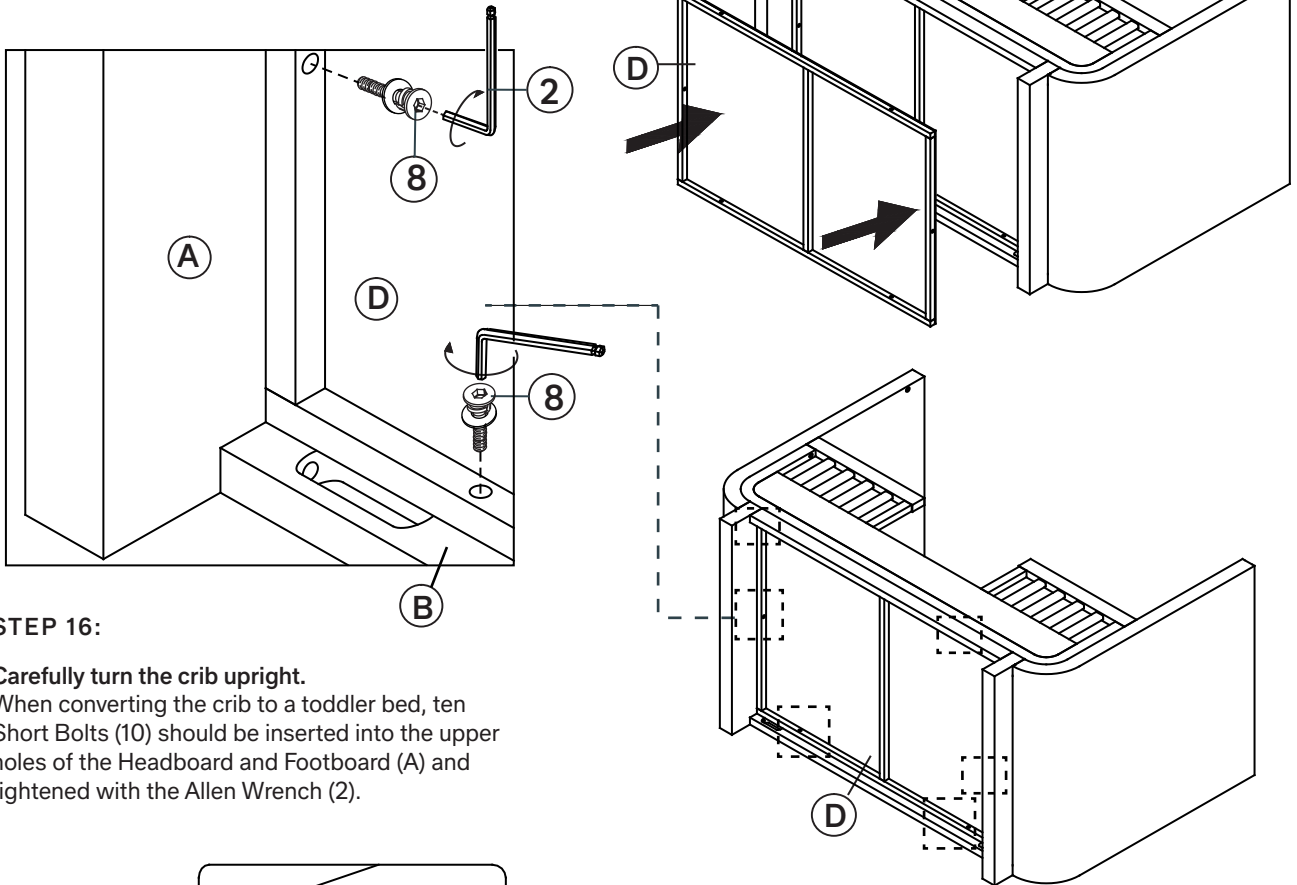
RH BABY & CHILD

OLIN CRIB/TODDLER BED CONVERSION KIT – ASSEMBLY INSTRUCTIONS Model No: 2065 - 7/8

STEP 15:

Position the Bottom Panel (D) to the bottom of the crib and align the holes.

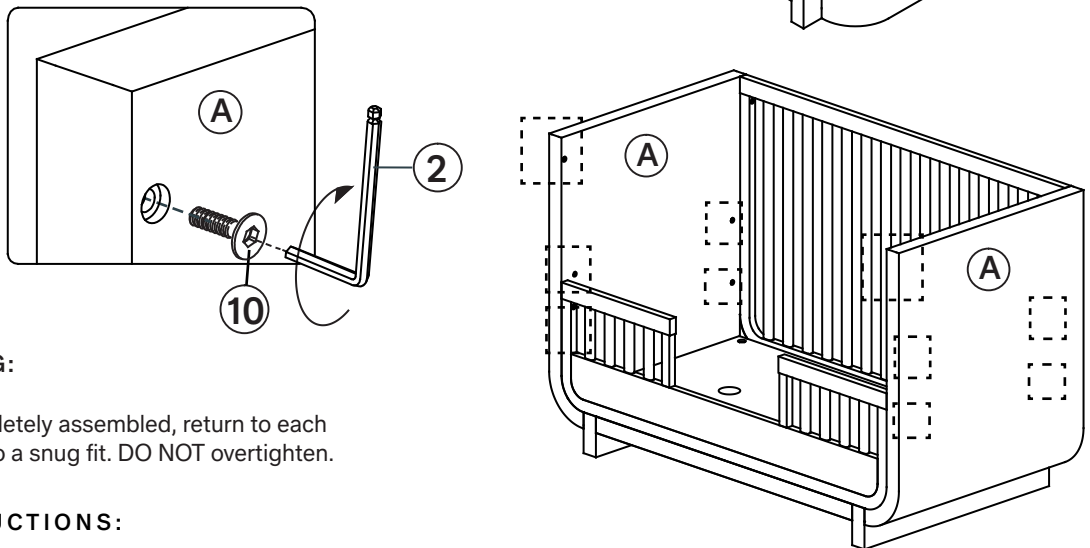
Attach the Bottom Panel (D) to the crib by using Small Bolts (8) and tighten with Allen Wrench (2).



STEP 16:

Carefully turn the crib upright.

When converting the crib to a toddler bed, ten Short Bolts (10) should be inserted into the upper holes of the Headboard and Footboard (A) and tightened with the Allen Wrench (2).



! WARNING:

After crib is completely assembled, return to each bolt and tighten to a snug fit. DO NOT overtighten.

CARE INSTRUCTIONS:

1. DUST OFTEN USING A CLEAN, SOFT, DRY AND LINT-FREE CLOTH.
2. BLOT SPILLS IMMEDIATELY AND WIPE WITH A CLEAN, DAMP CLOTH.
3. DO NOT USE CHEMICAL CLEANERS, ABRASIVES OR FURNITURE POLISH ON THE LACQUERED FINISH.